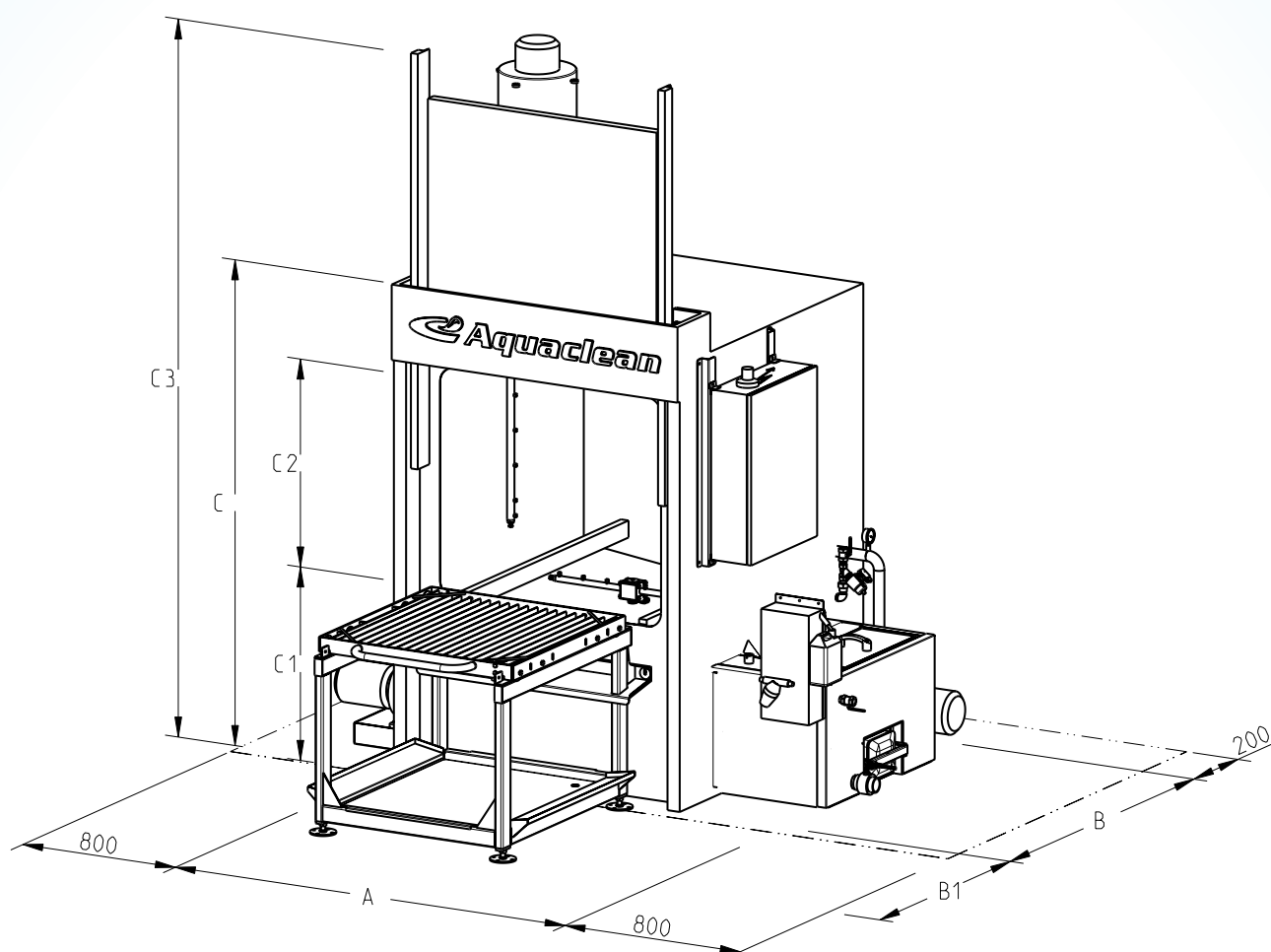


Main technical data for an aqueous spray cleaning machine, for cleaning heights 900, 1200, 1500 and 1800 mm.



MAIN DIMENSIONS (mm)		AC-2.9LD (C2=900)	AC-2.9-C12LD (C2=1200)	AC-2.9-C15LD (C2=1500)	AC-2.9-C18LD (C2=1800)
Width	A	4340	4340	4340	4340
Depth	B	3290	3290	3290	3290
	B1	2770	2770	2770	2770
Height	C	2550	2850	3150	3450
	C1	1080	1080	1080	1080
	C2	900	1200	1500	1800
	C3	3650	4250	4850	5450
Load Carriage	L x W	2400	2400	2400	2400



TECHNICAL DATA		AC-2.9LD (C2=900)	AC-2.9-C12LD (C2=1200)	AC-2.9-C15LD (C2=1500)	AC-2.9-C18LD (C2=1800)
Tank volume	l	3600	3600	3600	3600
Heating capacity	kW	84	84	84	84
Pump flow	l/min	820	880	940	1000
Pump pressure	bar	6.5	6.5	6.5	6.5
Pump motor	kW	18.5	18.5	18.5	18.5
Max. component dimensions	L x W ^{mm}	2400	2400	2400	2400
	Height ^{mm}	900	1200	1500	1800
	Diam. ^{mm}	2700	2700	2700	2700
	Weight ^{kg}	4000	4000	4000	4000
Machine weight	kg	4800	4950	5100	5300
Connection power	kW	90	90	90	90